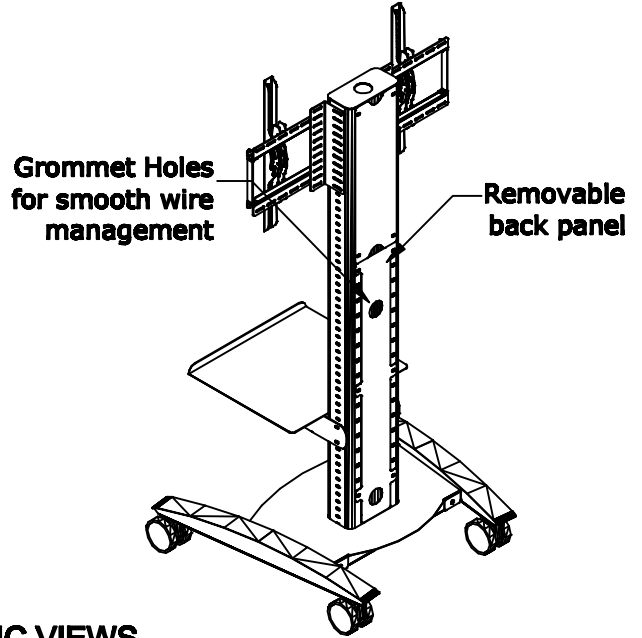
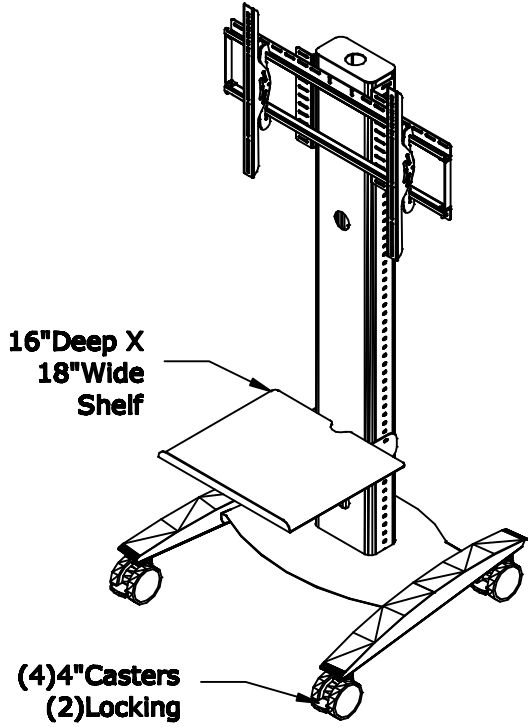




THE PLANS AND DRAWINGS CONTAINED HEREIN ARE PROPRIETARY AND MAY NOT BE COPIED OR REPRODUCED MECHANICALLY, ELECTRONICALLY OR BY ANY MEANS WITHOUT WRITTEN PERMISSION FROM BEST MOUNTING.

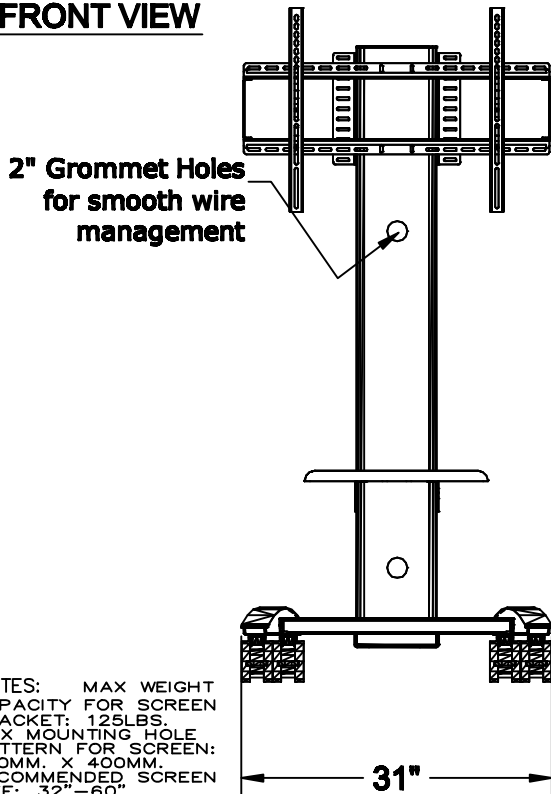
www.bestmounting.com

C1-11120-W09



ISOMETRIC VIEWS

FRONT VIEW



NOTES: MAX WEIGHT CAPACITY FOR SCREEN BRACKET: 125LBS. MAX MOUNTING HOLE PATTERN FOR SCREEN: 700MM. X 400MM. RECOMMENDED SCREEN SIZE: 32" - 60"

(1) Large Screen Holder AFC-3255

SIDE VIEW

